

BMZ ESS and SMA Sunny Island Configuration Chart

Quantity of ESS Units 1	ESS Usable Energy	Quantity of Sunny Island Units* 2	Phase Type	Required Combiner Box Part # 3	Required Data Cabling Part # 4	Required Electrical Cables for Combiner Box to Inverter Part # 5
1	5.39kWh	1	Single-phase ¹	NRQ	NRQ	NRQ
2	10.78kWh	1	Single-phase ¹	30341	30480	30500
3	16.18kWh	1	Single-phase ¹	30343	30481	30500
4	21.57kWh	1	Single-phase ¹	30345	2 x 30480	30500
5 ²	26.96kWh	1	Single-phase ¹	30345	30480 + 30481	30500
6 ²	32.35kWh	1	Single-phase ¹	30345	30482	30500
1	-	-	-	-	-	-
2	10.78kWh	2	120/240V Split-phase	30343	30480	2 x 30500
3	16.18kWh	2	120/240V Split-phase	30343	30481	2 x 30500
4	21.57kWh	2	120/240V Split-phase	30345	2 x 30480	2 x 30500
5	26.96kWh	2	120/240V Split-phase	30345	30480 + 30481	2 x 30500
6	32.35kWh	2	120/240V Split-phase	30345	30482	2 x 30500
1	-	-	-	-	-	-
2	-	-	-	-	-	-
3	16.18kWh	3	3-phase	30345	30481	3 x 30500
4	21.57kWh	3	3-phase	30345	2 x 30480	3 x 30500
5	26.96kWh	3	3-phase	30345	30480 + 30481	3 x 30500
6	32.35kWh	3	3-phase	30345	30482	3 x 30500
1	-	-	-	-	-	-
2	-	-	-	-	-	-
3	-	-	-	-	-	-
4	21.57kWh	4	120/240/DbI-Split-Phase	TBD	2 x 30480	4 x 30500
5	26.96kWh	4	120/240/DbI-Split-Phase	TBD	30480 + 30481	4 x 30500
6	32.35kWh	4	120/240/DbI-Split-Phase	TBD	30482	4 x 30500

NRQ - None Required

TBD - Expected availability August 2016

- not applicable/recommended (*minimum of one battery per Sunny Island recommended*).

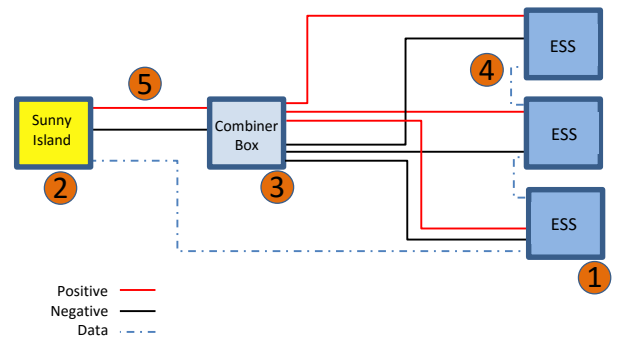
* SMA Sunny Island models 4548-US or 6048-US (or other rest of world models for outside the U.S.)

¹ Single Sunny Island as Single phase or 120/240V split phase with SMA SmartFormer.

² Overall efficiency drops when using five or six ESS units on a single inverter.

Example for a single phase, 3 ESS installation

Quant	Part	Description
3	24930 or 30110-00	ESS 7.0
1	30343	Combiner Box
1	30481	Data cable kit for 3 batteries
1	30500	Cables, Combiner Box to Inverter



Example for a three-phase, 4 ESS installation

Quant	Part	Description
4	24930 or 30110-00	ESS 7.0
1	30345	Combiner Box
2	30480	Data cable kit for 2 batteries
3	30500	Cables, Combiner Box to Inverter

