

# Hybrid Inverter



AC Coupled



Support Generator Connection



Max. Efficiency  
97.6%



2 MPPT



RS485/CAN



Internal SPD



Zero Export



IP65  
Ingress Protection



High Power  
Factor



High Surge  
Endurance

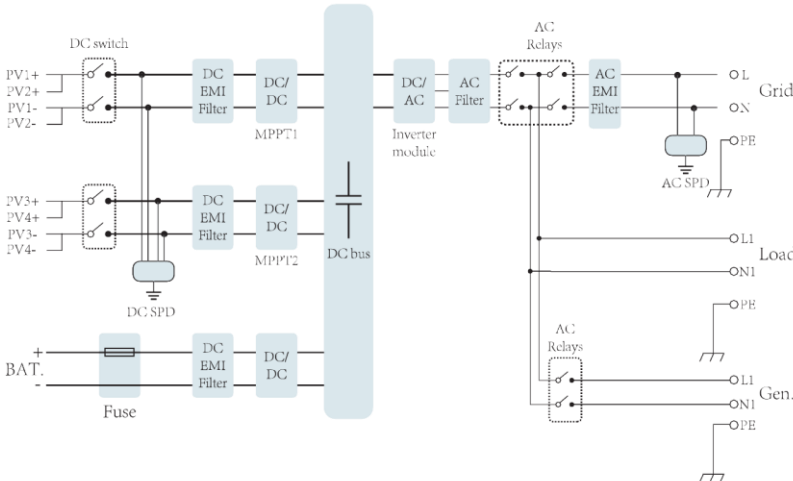


Six Time of  
Use Setting

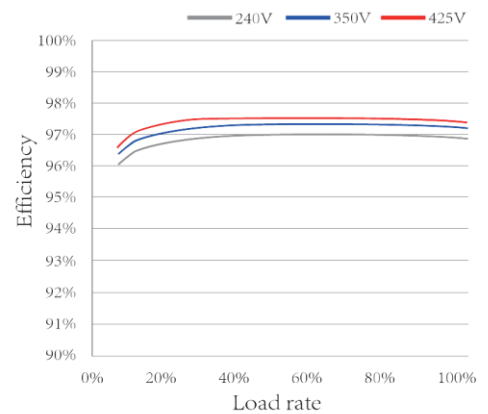


Support Multiple  
Parallel

Circuit block diagram



Efficiency curve



## Technical Specifications

Model	SUN-8K ( Off-Grid, Grid-Tied, Backup)
<b>Battery Input Data</b>	
Battery Type	Lithium-Ion or Lead-Acid
Battery Voltage Range (V)	40 ~ 60 V
Max. Charging Current (A)	190 A
Max. Discharging Current (A)	190 A
Charging Curve	3 Stages Equalization
External Temperature Sensor	Optional
Charging Strategy for Lio-Ion Battery	Self-Adaption to BMS
<b>PV String Input Data</b>	
Max. DC Input Power (W)	10400 W
PV Input Voltage (V)	370 V (100 - 500 V)
MPPT Range (V)	125 - 425 V
Start-Up Voltage (V)	125 V
PV Input Current (A)	18 A + 18 A
No. of MPPT Trackers	2
No. of Strings per MPPT Tracker	2 + 2
<b>AC Output Data</b>	
Rated AC Output and UPS Power (W)	8000 W
Max. AC Output Power (W)	8800 W
Peak Power (Off-Grid Mode)	2 times of rated Power for 10 seconds
AC Output Rated Current (A)	33.4 A / 35 A
Max. AC Current (A)	38.3 A / 40 A
Max. Continuous AC Passthrough (A)	50 A
Output Frequency and Voltage	50/60 Hz, US and Euro Standards
Grid Type	All
Current Harmonic Distortion	THD < 3 % (Linear Load < 1.5%)
<b>Efficiency</b>	
Max. Efficiency	97.60 %
Euro Efficiency	97.00 %
MPPT Efficiency	99.90 %
<b>Protection</b>	
PV Arc Fault Detection (Except European Type)	Integrated
PV Input Lightning Protection	Integrated
Anti-Islanding Protection	Integrated
PV String Input Reverse Polarity Protection	Integrated
Insulation Resistor Detection	Integrated
Residual Current Monitoring Unit	Integrated
Output Over Current Protection	Integrated
Output Shorted Protection	Integrated
Output Over Voltage Protection	Integrated
<b>Certifications and Standards</b>	
Grid Regulations	US Interconnection Standards, VDE 0126, AS4777, NRS2017, G98, G99
Safety Regulations	IEC62109-1, IEC62109-2
EMC	EN61000-6-1, EN61000-6-3, FCC 15 Class B
<b>General Data</b>	
Operating Temperature Range (°C)	-25 ~ 60 °C, > 45 °C Derating
Cooling	Fan
Noise (dB)	< 30 dB
Communication with BMS	RS485, CAN
Weight (Kg) (Shipping)	32 Kg (45 Kg)
Size, Length x Width x Height (mm) (Shipping)	680 x 420 x 233 mm, ( 870 x 596 x 350 mm)
Protection Degree	IP65
Installation Style	Wall-Mounted
Warranty	5 Years