

Hybrid Inverter



AC Coupled



Support Generator Connection



Max. Efficiency
97.6%



2 MPPT



RS485/CAN



Internal SPD



Zero Export



IP65
Ingress Protection



High Power
Factor



High Surge
Endurance

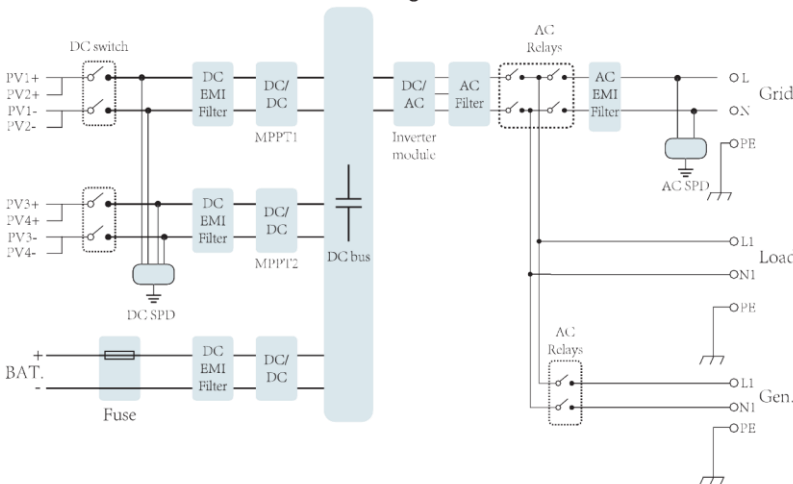


Six Time of
Use Setting

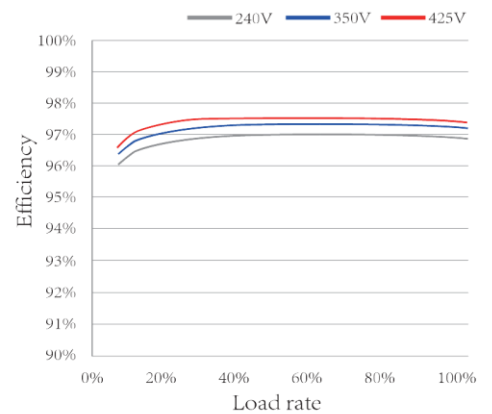


Support Multiple
Parallel

Circuit block diagram



Efficiency curve



Technical Specifications

Model	SUN-8K (Off-Grid, Grid-Tied, Backup)
Battery Input Data	
Battery Type	Lithium-Ion or Lead-Acid
Battery Voltage Range (V)	40 ~ 60 V
Max. Charging Current (A)	190 A
Max. Discharging Current (A)	190 A
Charging Curve	3 Stages Equalization
External Temperature Sensor	Optional
Charging Strategy for Lio-Ion Battery	Self-Adaption to BMS
PV String Input Data	
Max. DC Input Power (W)	10400 W
PV Input Voltage (V)	370 V (100 - 500 V)
MPPT Range (V)	125 - 425 V
Start-Up Voltage (V)	125 V
PV Input Current (A)	18 A + 18 A
No. of MPPT Trackers	2
No. of Strings per MPPT Tracker	2 + 2
AC Output Data	
Rated AC Output and UPS Power (W)	8000 W
Max. AC Output Power (W)	8800 W
Peak Power (Off-Grid Mode)	2 times of rated Power for 10 seconds
AC Output Rated Current (A)	33.4 A / 35 A
Max. AC Current (A)	38.3 A / 40 A
Max. Continuous AC Passthrough (A)	50 A
Output Frequency and Voltage	50/60 Hz, 120/240 Vac (Split-Phase), 208Vac (2/3 Phase), 230 Vac (Single Phase)
Grid Type	Split-Phase, 2/3 Phase, Single Phase
Current Harmonic Distortion	THD < 3 %(Linear Load < 1.5%)
Efficiency	
Max. Efficiency	97.60 %
Euro Efficiency	97.00 %
MPPT Efficiency	99.90 %
Protection	
PV Arc Fault Detection (Except European Type)	Integrated
PV Input Lightning Protection	Integrated
Anti-Islanding Protection	Integrated
PV String Input Reverse Polarity Protection	Integrated
Insulation Resistor Detection	Integrated
Residual Current Monitoring Unit	Integrated
Output Over Current Protection	Integrated
Output Shorted Protection	Integrated
Output Over Voltage Protection	Integrated
Certifications and Standards	
Grid Regulations	UL1741, IEEE1547, RULE21, VDE 0126, AS4777, NRS2017, G98, G99
Safety Regulations	IEC62109-1, IEC62109-2
EMC	EN61000-6-1, EN61000-6-3, FCC 15 Class B
General Data	
Operating Temperature Range (°C)	-25 ~ 60 °C, > 45 °C Derating
Cooling	Fan
Noise (dB)	< 30 dB
Communication with BMS	RS485, CAN
Weight (Kg) (Shipping)	32 Kg (45 Kg)
Size, Length x Width x Height (mm) (Shipping)	680 x 420 x 233 mm, (870 x 596 x 350 mm)
Protection Degree	IP65
Installation Style	Wall-Mounted
Warranty	5 Years